



Rugged die cast floodlight with heavy mounting arm, lens, glare shield and weatherproof silicone gasket. 75 Watt max., accepts lamp types PAR16, PAR20 and R type. 120 volt Lamp not supplied.

Color: Bronze

Weight: 1.6 lbs

<b>Project:</b>	<b>Type:</b>
<b>Prepared By:</b>	<b>Date:</b>

Lamp Info		Ballast Info	
Type	PAR20	Type	N/A
Watts	75W	120V	N/A
Shape/Size	N/A	208V	N/A
Base	N/A	240V	N/A
ANSI	N/A	277V	N/A
Hours	2,500	Input Watts	N/A
Lamp Lumens	550		
Efficacy	N/A		

**Technical Specifications**

**Compliance**

**UL Listed:**

Suitable for wet locations. Suitable for mounting within 1.2m (4ft) of the ground.

**Construction**

**Swivels:**

1/2" NPS threaded arm with serrated locking swivel fits all standard mounting boxes. EZ Grip locknuts color matched to fixture.

**Housings:**

Precision die-cast aluminum

**Electrical**

**Watts:**

75

**Voltage:**

120

**Sockets:**

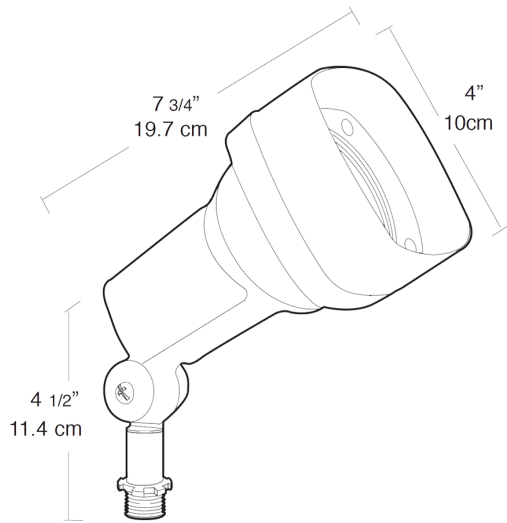
Medium base porcelain with all copper current carrying components and spring loaded center contact

**Other**

**Buy American Act Compliance:**

RAB values USA manufacturing! Upon request, RAB may be able to manufacture this product to be compliant with the Buy American Act (BAA). Please contact customer service to request a quote for the product to be made BAA compliant.

**Dimensions**



**Features**

- Rugged die cast aluminum housing with polyester powder coat finish
- Deep Glare Shield
- weatherproof lens and gasket
- "O" Ring seal for full weather protection
- No-rust brass & stainless steel external hardware
- Rugged mounting arm has 1/2" threads and pivots 180
- EZ Grip locknuts are color matched to fixture and can be tightened with fingers, pliers or screwdriver